



KINETIC
REMOTE SYSTEMS

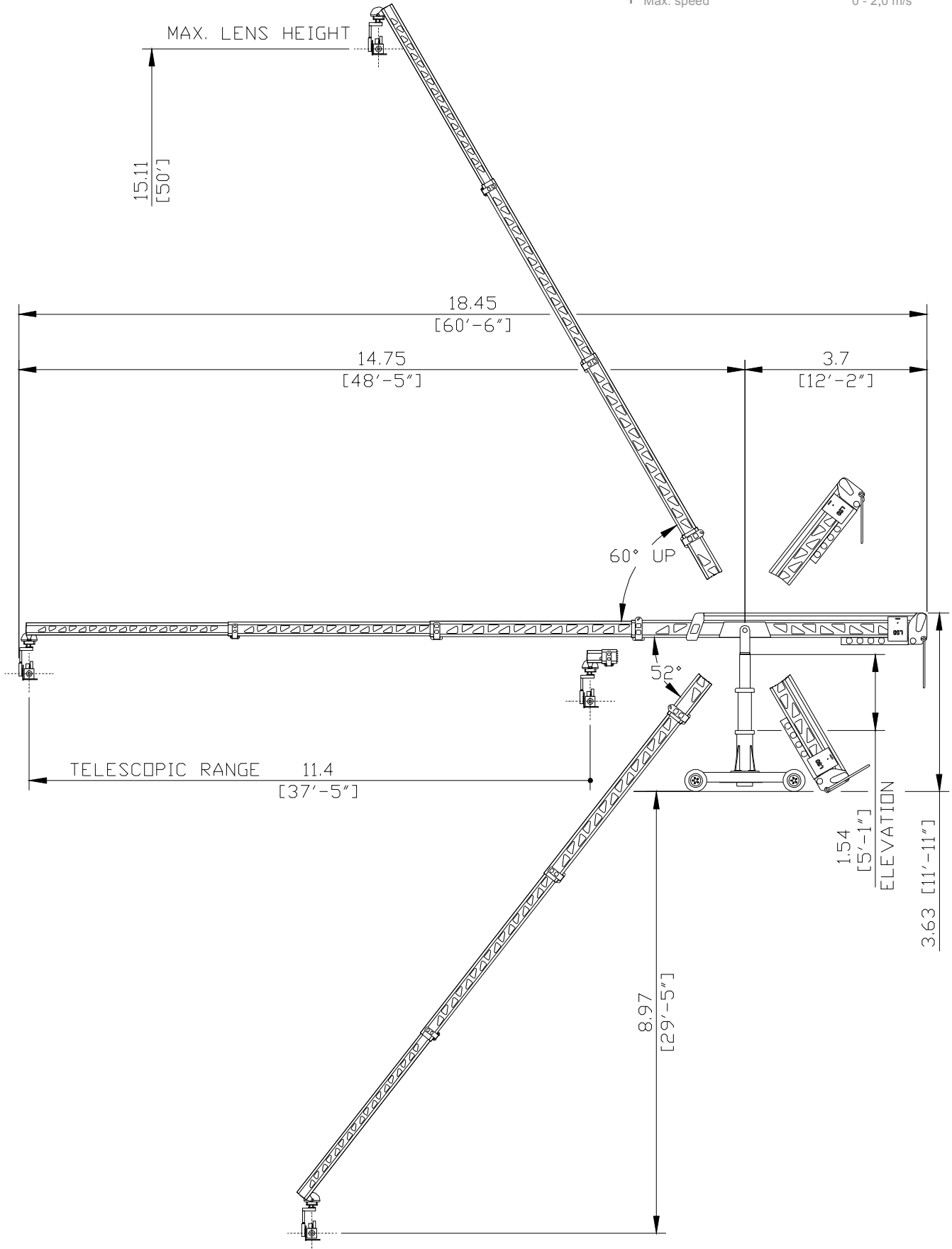
FIND YOUR SHOT
SPECS & DRAWINGS

(847) 869 0300
INFO@KINETICREMOTES.COM

SUPERTECHNO 50

Max. lens height: 15,1 m / 50 ft.
Max. telescopic extent: 11,4 m / 37 ft.
Max. camera weight: 35 kg / 80 lb
Total weight: 2300 kg / 5100 lb

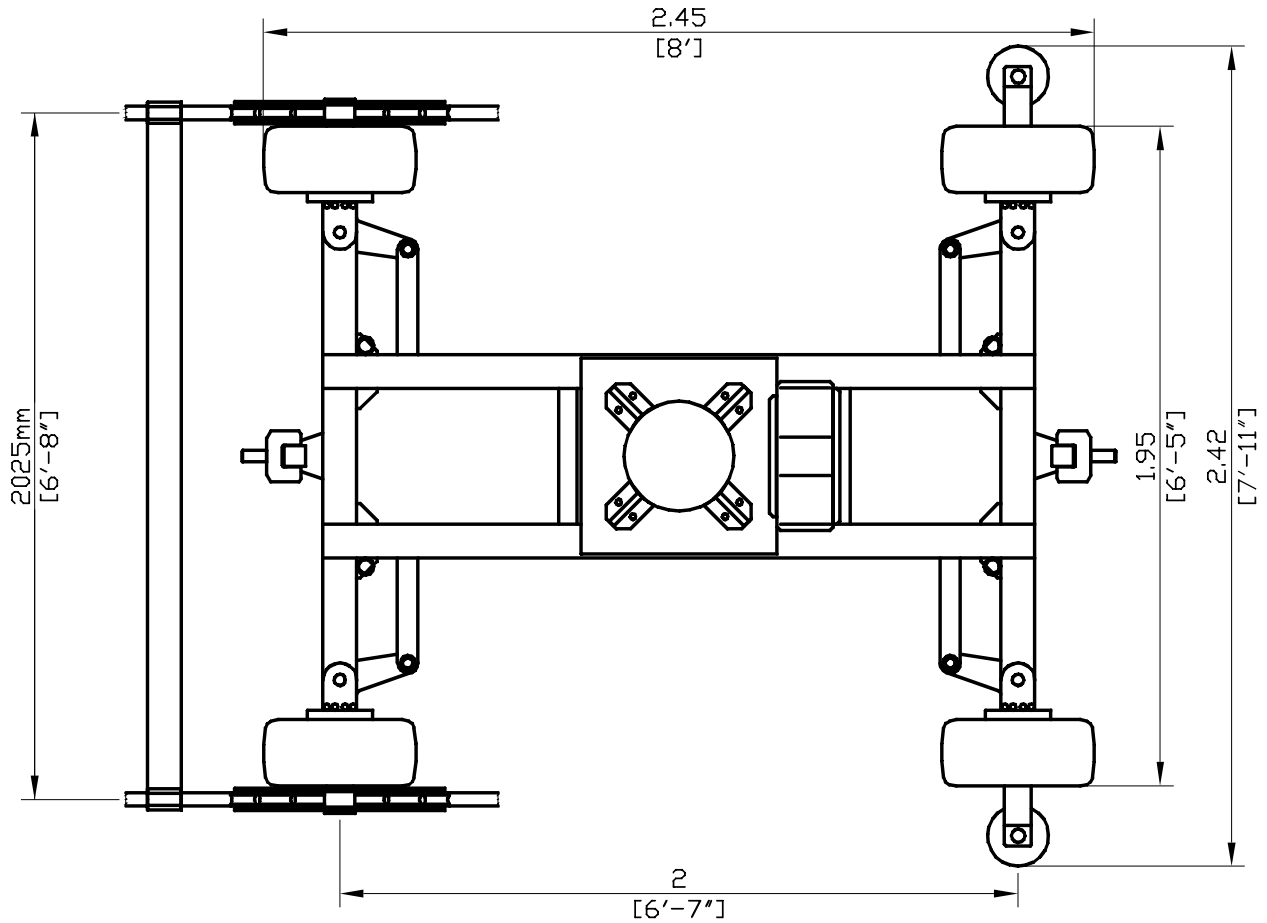
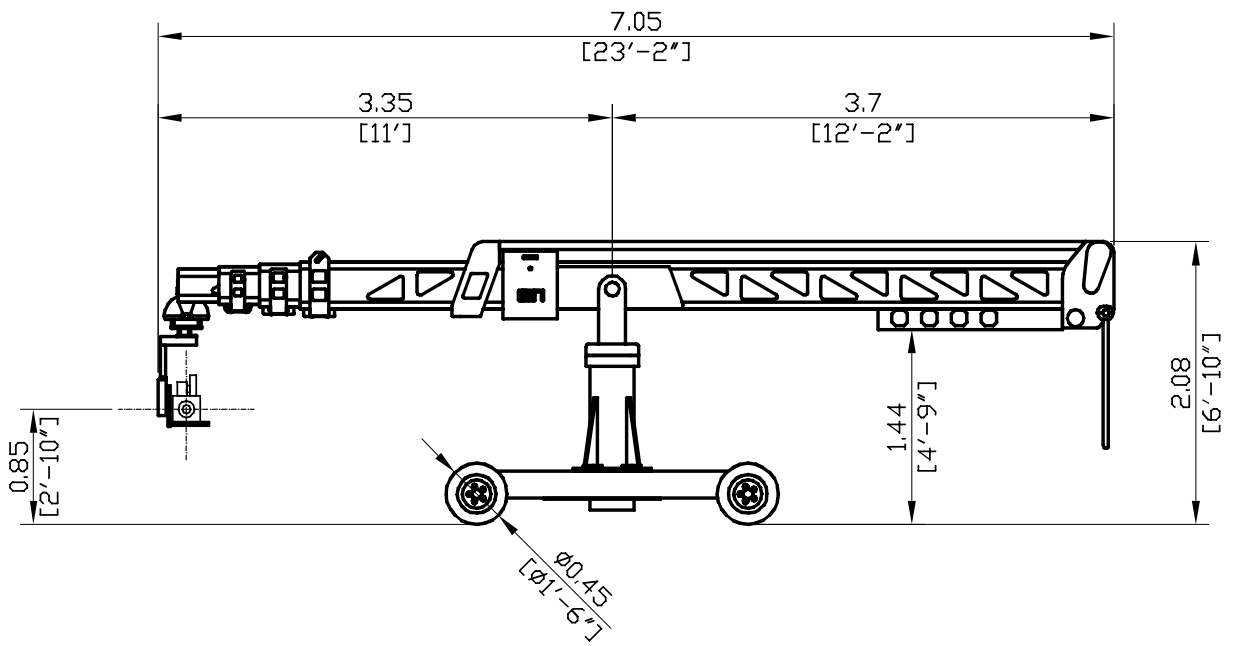
Max. speed: 0 - 2,0 m/s



SUPERTECHNO 50

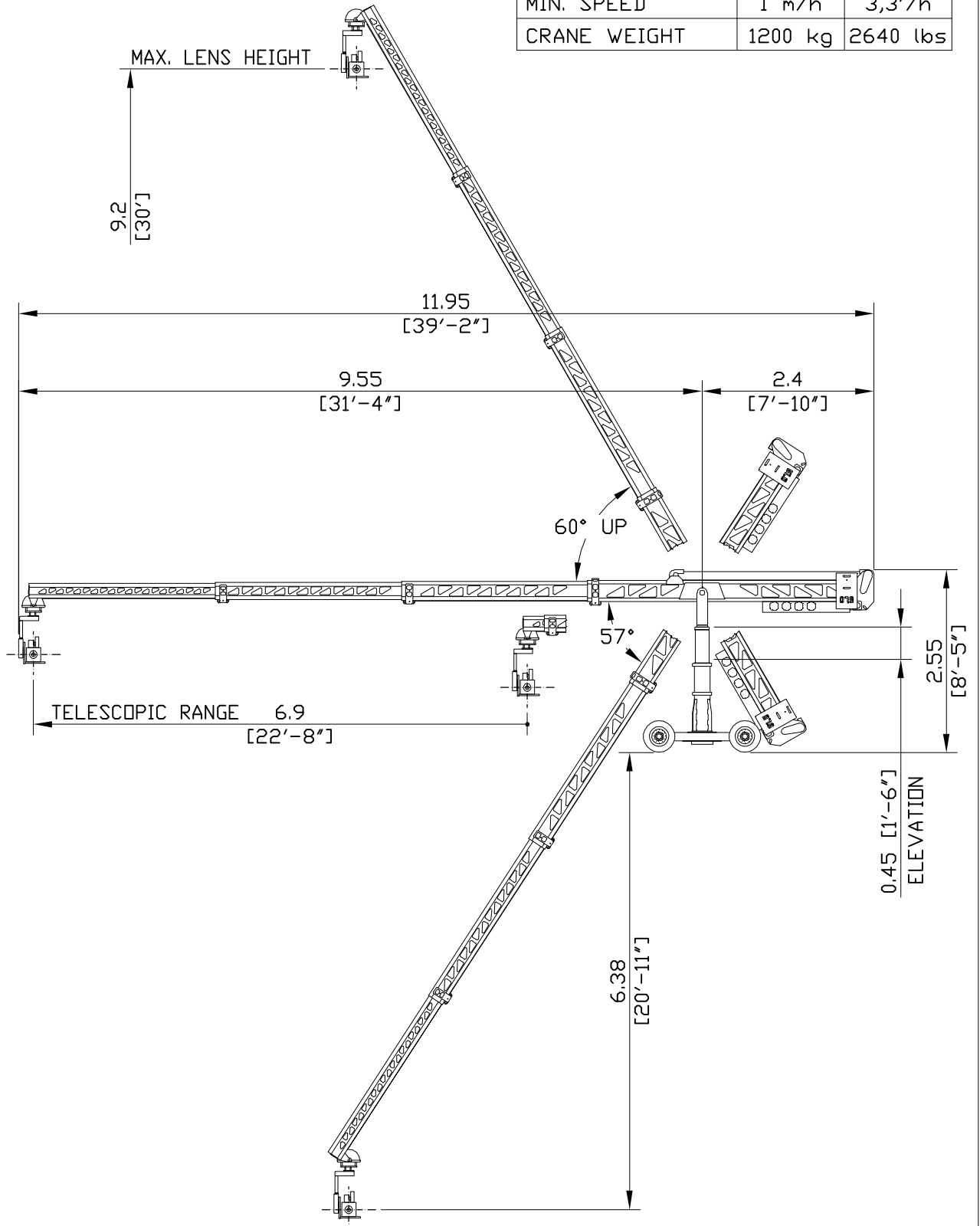
Max. lens height:
Max. telescopic extent:
Max. camera weight:
Total weight:
Max. speed

15,1 m / 50 ft.
11,4 m / 37 ft.
35 kg / 80 lb
2300 kg / 5100 lb
0 - 2,0 m/s

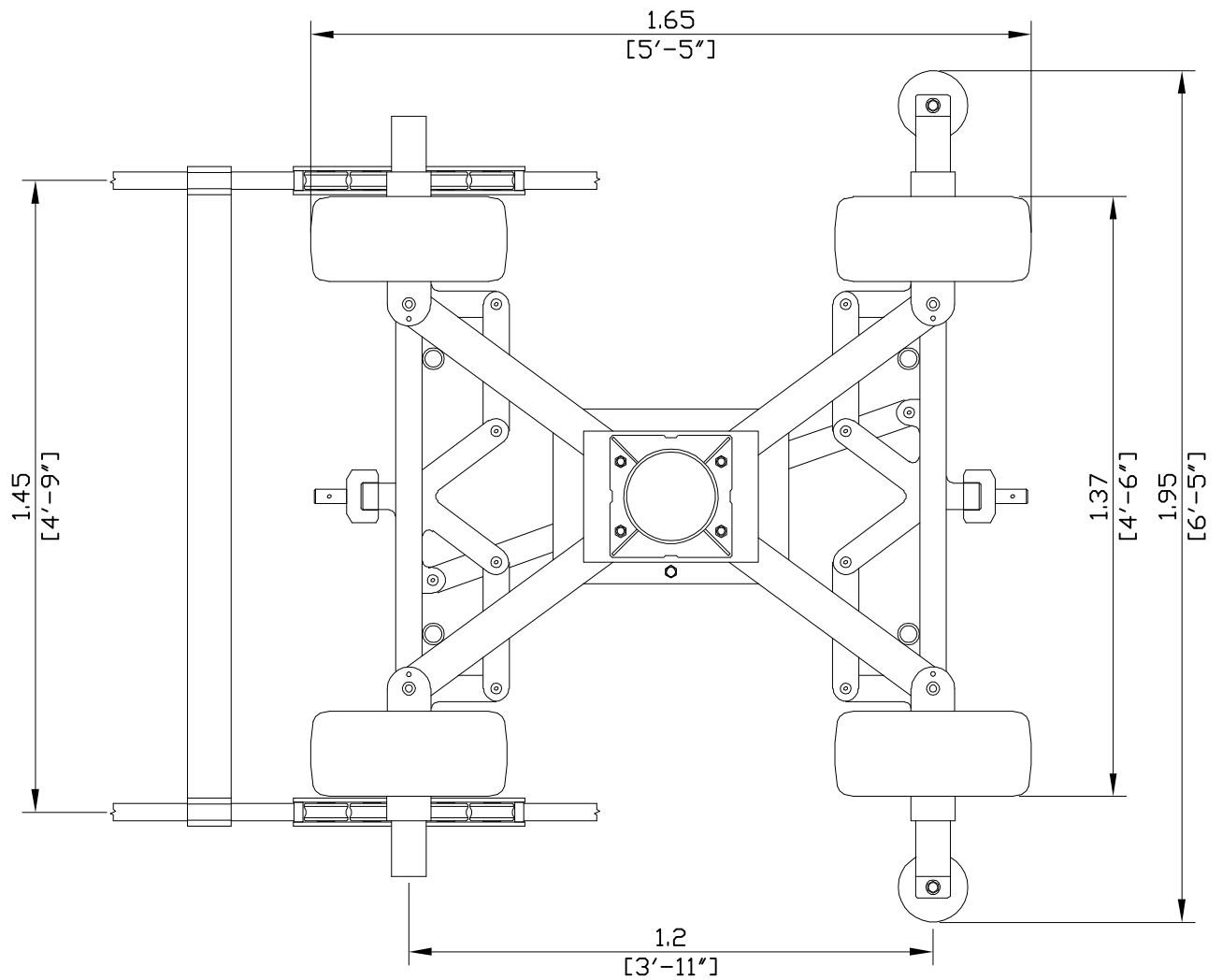
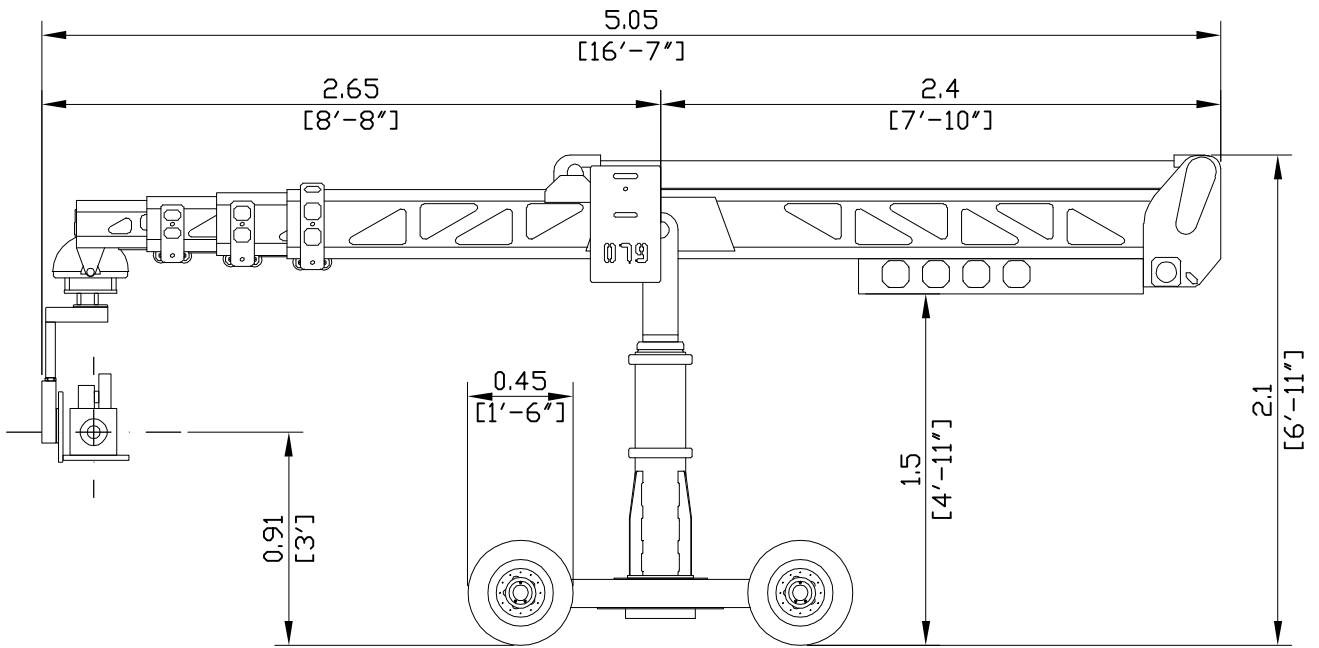


SUPERTECHNO 30

MAX. LENS HEIGHT	9,2 m	30'
MAX. LENGTH	11,95 m	39' 2"
MAX. SPEED	1,4 m/s	4,6'/s
MIN. SPEED	1 m/h	3,3'/h
CRANE WEIGHT	1200 kg	2640 lbs

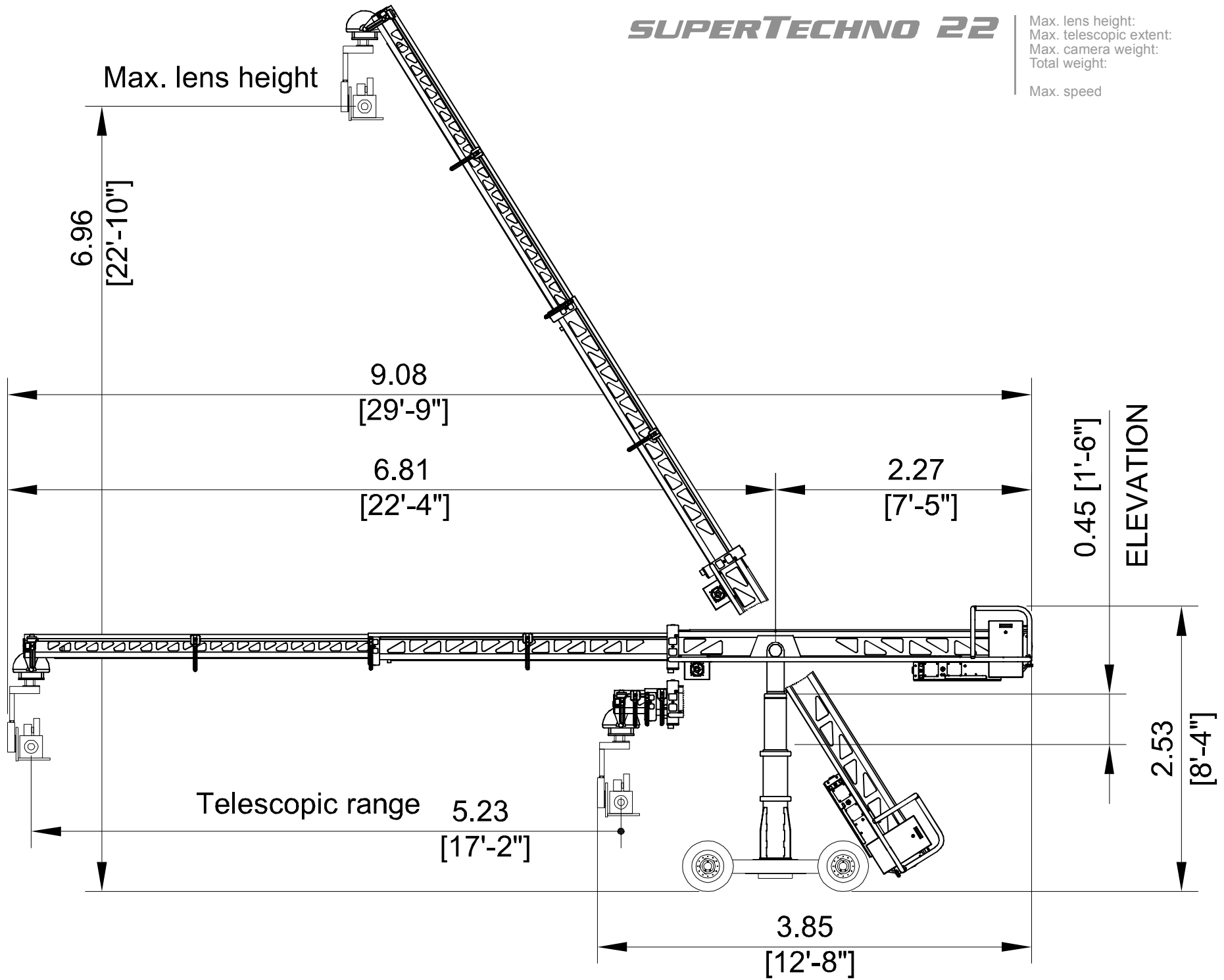


SUPERTECHNO 30



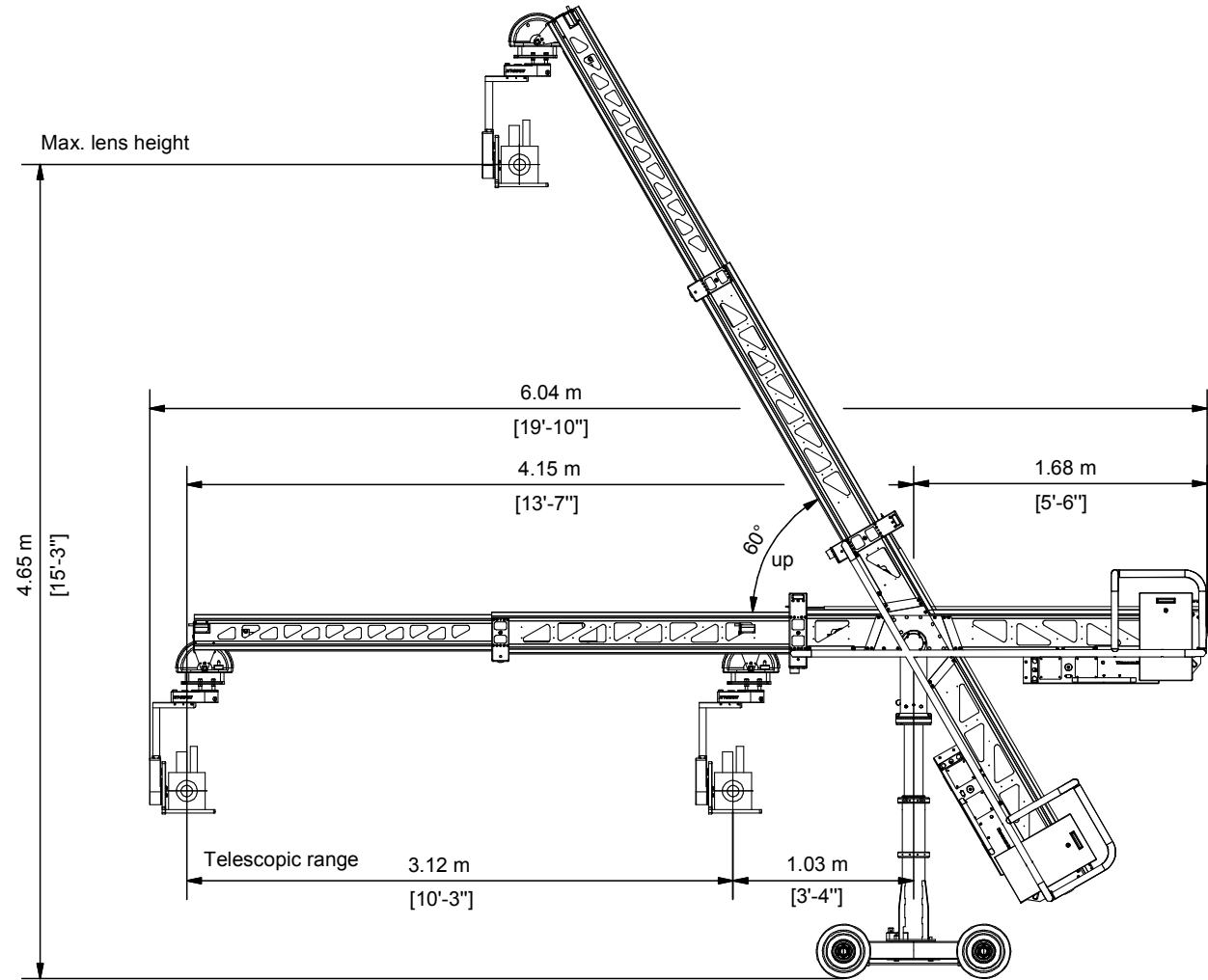
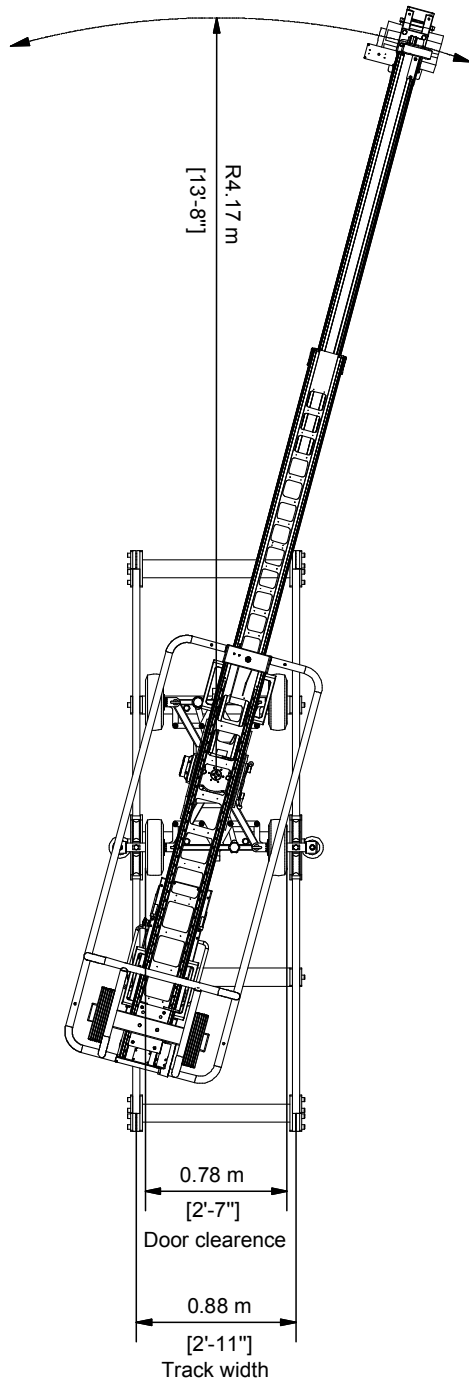
SUPERTECHNO 22

Max. lens height:	6,9 m / 22 ft.
Max. telescopic extent:	5,2 m / 17 ft.
Max. camera weight:	35 kg / 80 lb
Total weight:	kg / lb
Max. speed	0 - 1,9 m/s

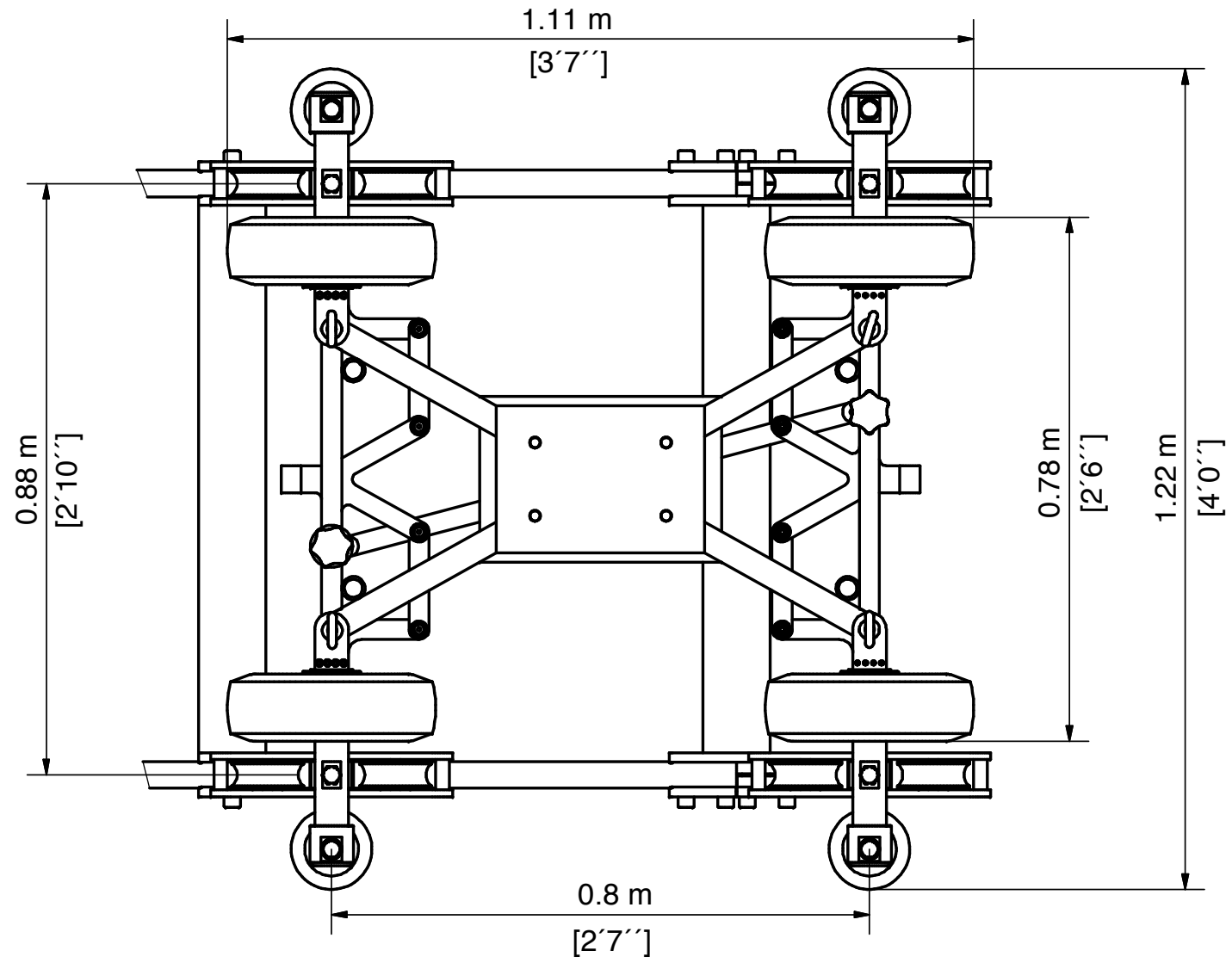


TECHNO15

Max. lens height:	4,6 m / 15 ft.
Max. telescopic extent:	3,1 m / 10 ft.
Max. camera weight:	35 kg / 80 lb
Total weight:	523 kg / 1153 lb
Max. speed	0,75 m/s

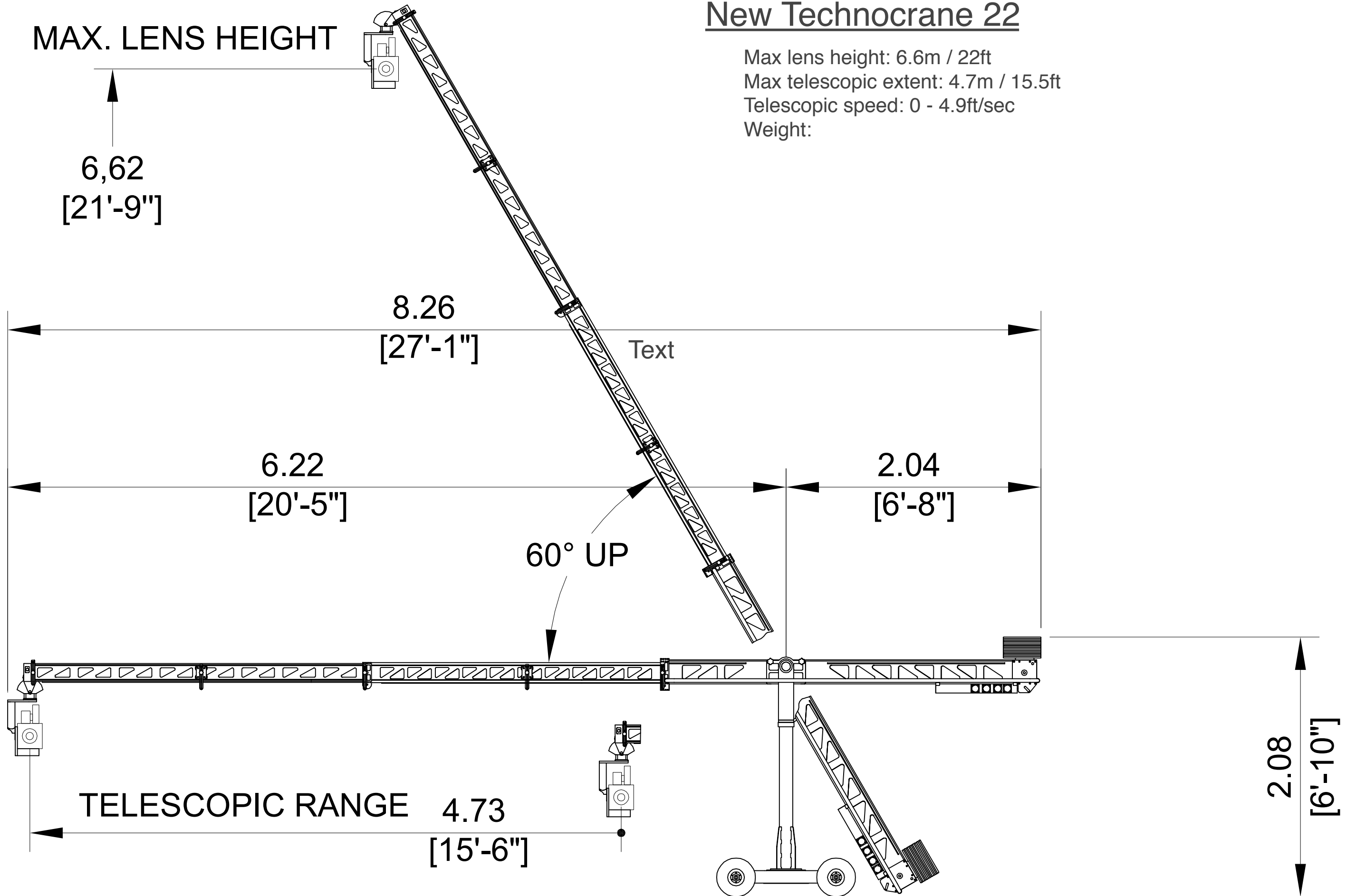


TECHNO 15



New Technocrane 22

Max lens height: 6.6m / 22ft
Max telescopic extent: 4.7m / 15.5ft
Telescopic speed: 0 - 4.9ft/sec
Weight:



New Technocrane 15

Max lens height: 4.6m/15ft

Max telescopic extent: 3.1m/10ft

Total weight (with camera): 313kg/960lbs

